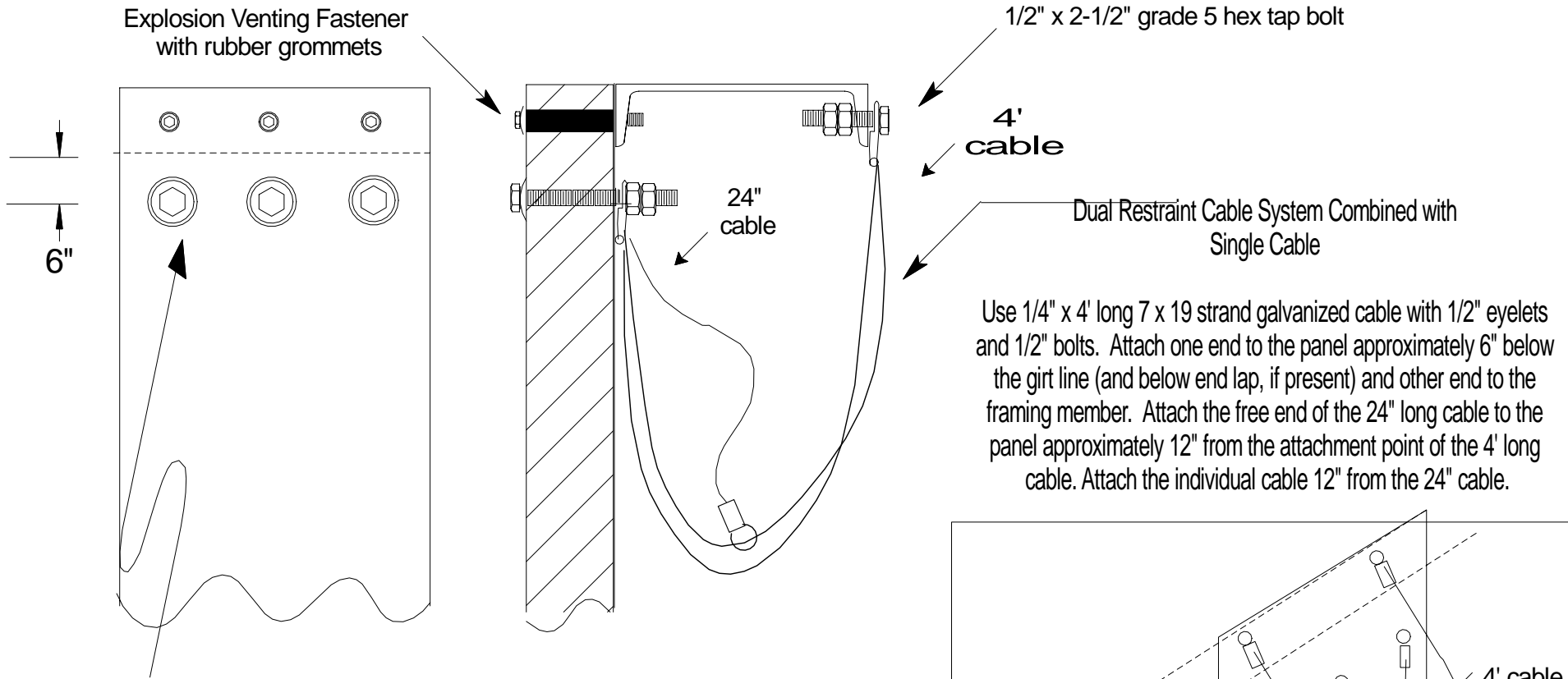
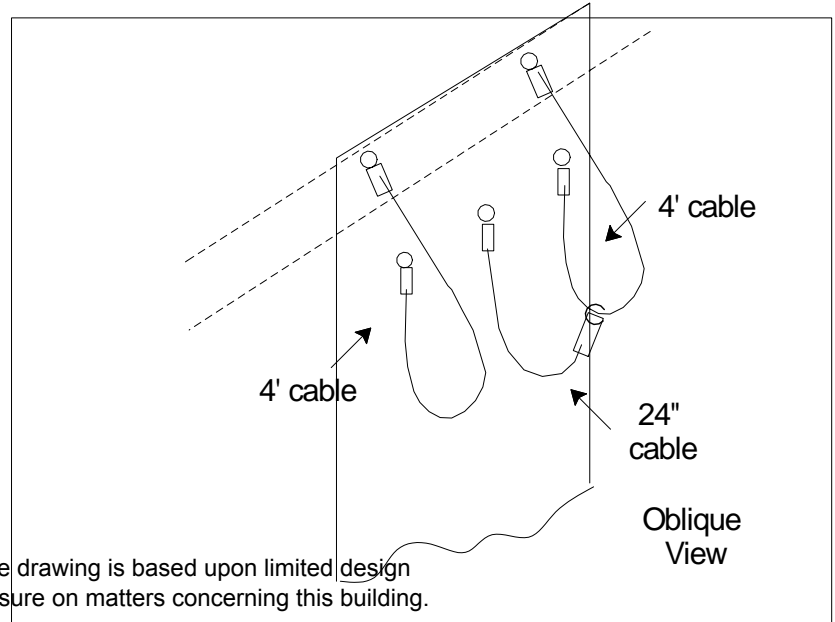


Example Only- Do not use this restraint detail for your explosion venting job. Contact us so that we can help suggest the best layout for your job.

Drawing # CD-007



Use 1/4" x 4' long 7 x 19 strand galvanized cable with 1/2" eyelets and 1/2" bolts. Attach one end to the panel approximately 6" below the girt line (and below end lap, if present) and other end to the framing member. Attach the free end of the 24" long cable to the panel approximately 12" from the attachment point of the 4' long cable. Attach the individual cable 12" from the 24" cable.



1/2" x 4-1/2" stainless steel cable bolt with 2-1/2" OD washer

FM guidelines recommend that cables "should be connected at the top or bottom only and never at more than one edge. If a flashing detail is provided at the top of the panel that could initiate panel rotation, the panel should be ...tethered from the top."

This drawing is submitted for your approval as the suggested cable detail for your explosion venting panel. The drawing is based upon limited design criteria furnished to us by you and should be reviewed and approved by design engineers who have full disclosure on matters concerning this building.

<p>Restraint Cable Detail Dual Cable System Combined with Single Cable</p>	<p>Double-Walled Insulated Panel 42" Wide x 20' High</p>	<p>D.A. Black Company 2227 Village Lake Drive Charlotte, NC 28212 704-537-1110</p>
---	---	---